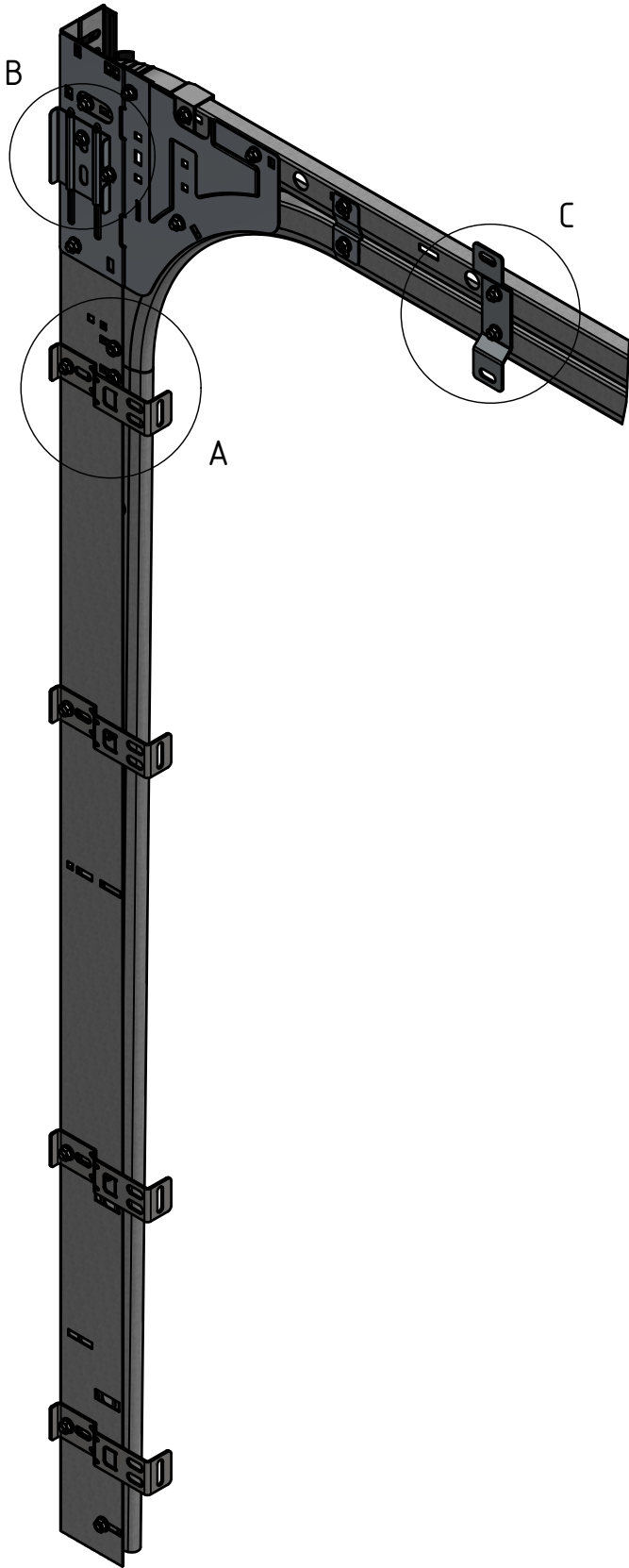
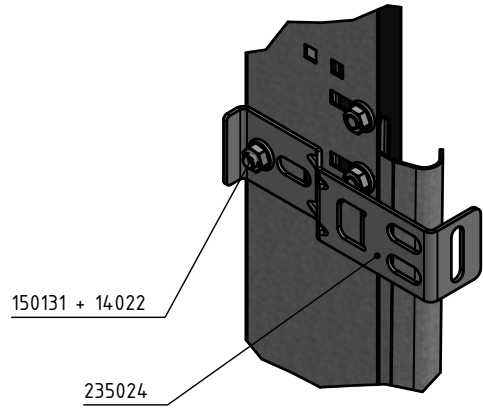


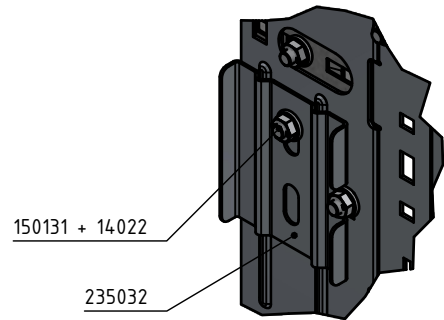
This drawing is property of DOCO and may not be copied in whole or in part without the prior written consent of the owner.



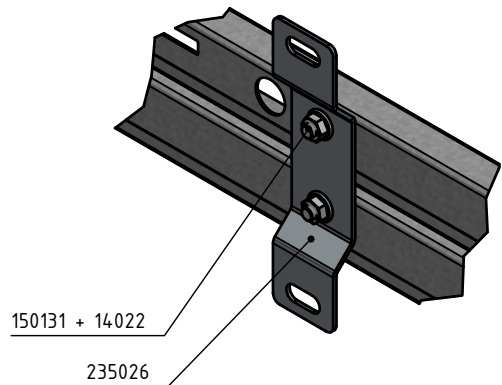
A (1 : 4)



B (1 : 4)



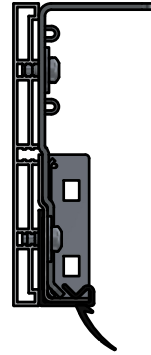
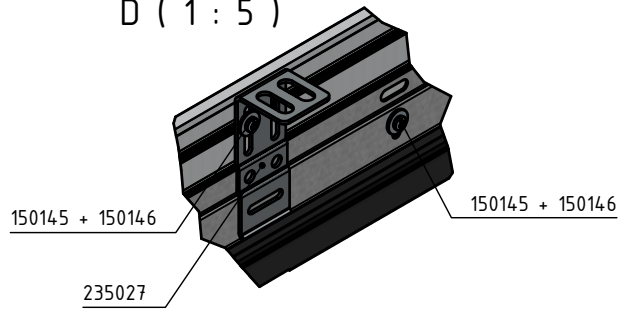
C (1 : 4)



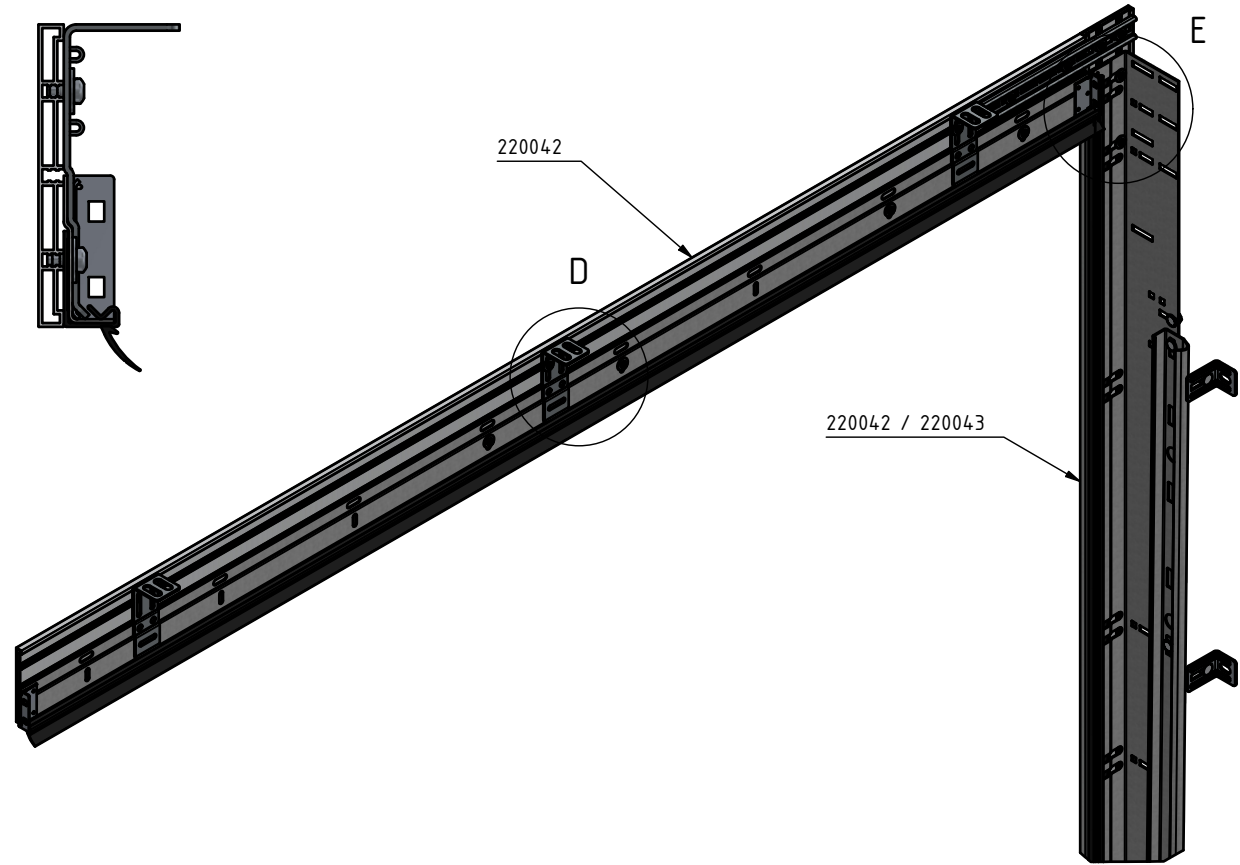
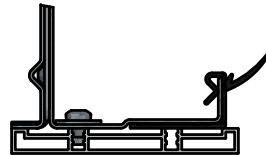
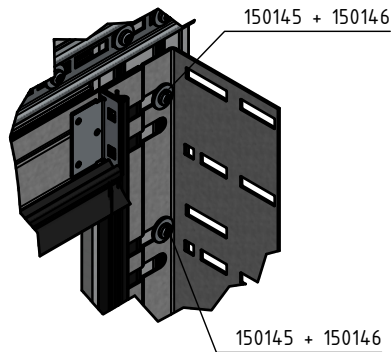
Tolerance unless otherwise specified : See tolerance table	Eng.-Q.C. Check	Name	Date	Part number :	Material:	Mass:	
		R.d.J.	29-10-2025	HOME -ZERO		N/A	
Description :				HOME-ZERO Installation Guide			
Units : mm				Rev : 0	Drawing number: HOME-ZERO IG	Scale : 1 : 20	A4

This drawing is property of DOCO and may not be copied in whole or in part without the prior written consent of the owner.

D (1 : 5)

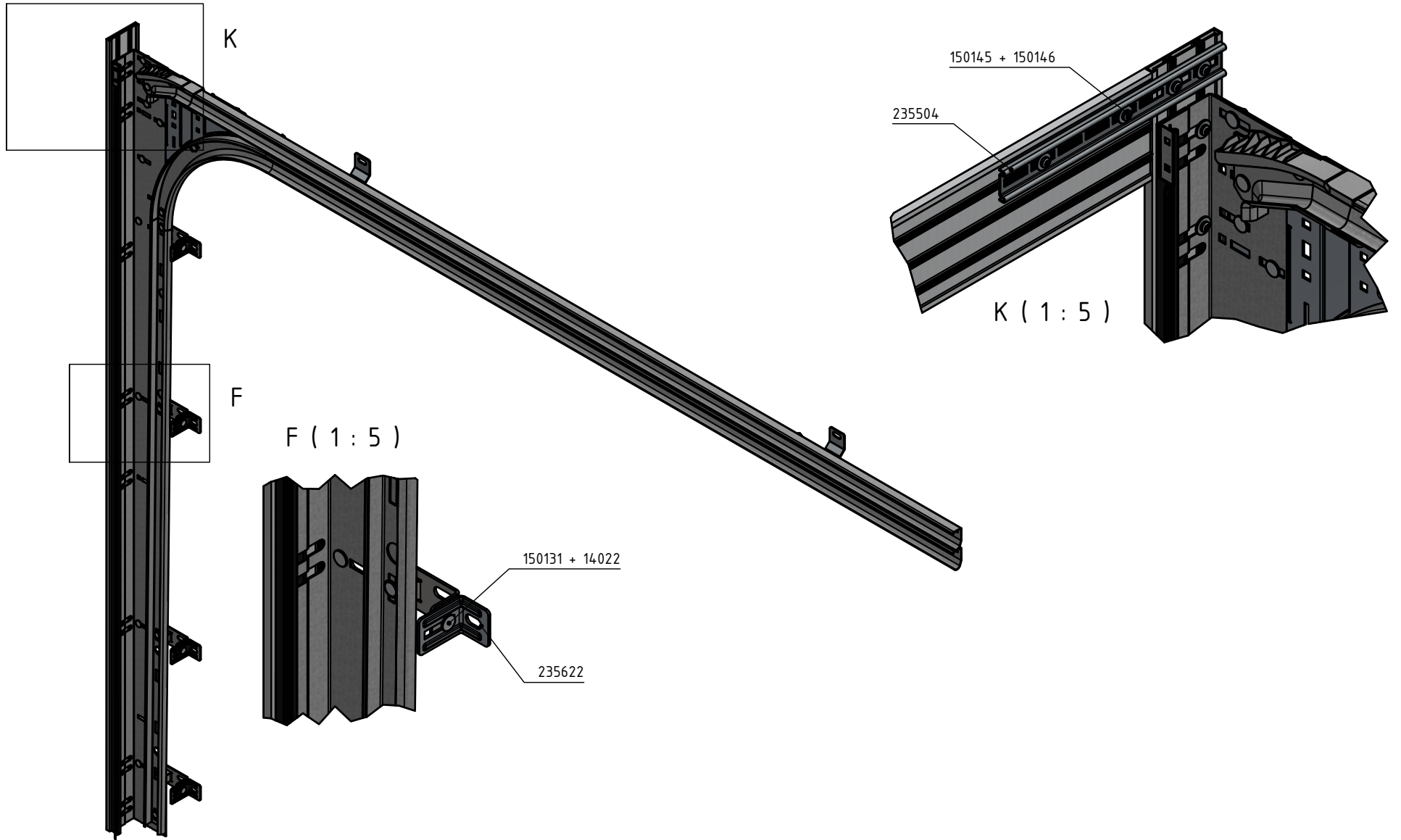


E (1 : 5)



	Name	Date	Part number : Assembly HOME-ZERO	Material:	Mass: N/A
	Drawn	R.d.J.	29-10-2025	Description : HOME-ZERO Installation Guide	
Tolerance unless otherwise specified : See tolerance table	Eng.-Q.C. Check			Drawing number: HOME-ZERO IG	Scale : 1 : 20
		Units : mm	Rev : 0		A4

This drawing is property of DOCO and may not be copied in whole or in part without the prior written consent of the owner.



	Name	Date	Part number : Assembly HOME ZERO	Material:	Mass: N/A
	Drawn	R.d.J.	29-10-2025	Description : HOME-ZERO Installation Guide	
Tolerance unless otherwise specified : See tolerance table	Eng.-Q.C. Check		Drawing number: HOME-ZERO IG		Scale : 1 : 25
		Units : mm	Rev : 0		A4